

Fast lift as standard (up to 120 kg)

Compact and manoeuvrable

Robust and reliable

Unique controls

Particularly quiet operation



## AM 15l

### Hand pallet truck for display and part load pallets (1,500 kg)

The AM 15l is ideally suited for pallets with a lower entry height. The lowered height of 51 mm allows a large number of flat and special pallets to be handled. Despite the low entry height, the AM 15l has a ground clearance of 13 mm. This enables it to easily negotiate slightly

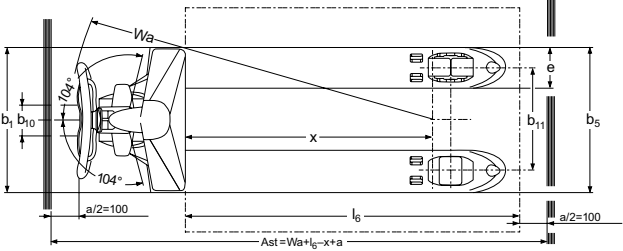
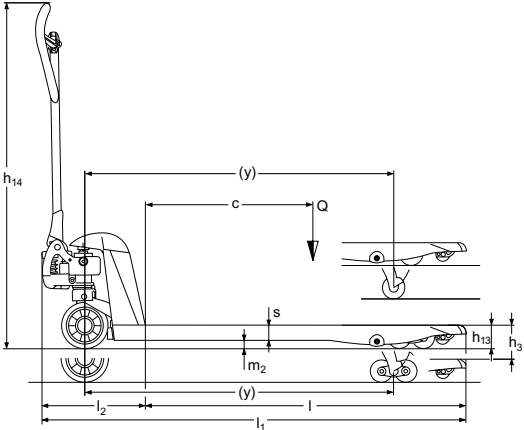
uneven surfaces.

The controls are easy to reach and extremely ergonomic, thus ensuring safe movement of the hand pallet truck in all situations.

The standard fast lift function (active up to 120 kg) with automatic changeover al-

ways provides optimum operating force. Just a few pump strokes are enough to raise the pallet clear of the floor. Above all, this saves time and money and increases efficiency.

# AM 15l



# Technical data in line with VDI 2198

Identification	1.1	Manufacturer (short form)		Jungheinrich		
	1.2	Model		AM 15I		
	1.3	Drive		manual		
	1.4	Manual, pedestrian, stand-on, seated, order picker operation		hand		
	1.5	Load capacity/rated load	Q t	1.5		
	1.6	Load centre distance	c mm	400	500	600
	1.8	Load distance	x mm	525	680	880
	1.9	Wheelbase	y mm	745	900	1100
	Weights	2.1	Service weight	kg	71	72
2.3		Axle load, w.o. load, front / rear	kg		60 / 28	
Wheels / chassis	3.1	Tyres		C; N		
	3.2	Tyre size, at front	mm	Ø 170x50		
	3.3	Tyre size, at rear	mm	Ø 50x70		
	3.5	Wheels, number front/rear (x = driven wheels)		2/4		
	3.6	Track width, front	b <sub>10</sub> mm	109		
	3.7	Track width, rear	b <sub>11</sub> mm	370		
	Basic dimensions	4.4	Lift	h <sub>3</sub> mm	120	
4.9		Height of tiller in drive position min. / max.	h <sub>14</sub> mm	1237		
4.14		Standing height raised	h <sub>12</sub> mm	171		
4.15		Lowered height	h <sub>13</sub> mm	51		
4.19		Overall length	l <sub>1</sub> mm	1175	1330	1530
4.20		Length incl. back of forks	l <sub>2</sub> mm	380		
4.21		Total width	b <sub>1</sub> /b <sub>2</sub> mm	520 <sup>1)</sup>		
4.22		Fork dimensions	s/e/l mm	38 / 150 / 795 <sup>2)</sup>	38 / 150 / 950 <sup>2)</sup>	38 / 150 / 1150 <sup>2)</sup>
4.25		Width over forks	b <sub>5</sub> mm	520 <sup>1)</sup>		
4.32		Floor clearance centre wheelbase	m <sub>2</sub> mm	13		
4.33		Aisle width for pallets 1000 x 1200 sideways	Ast mm	1584		
4.34	Aisle width for pallets 800 x 1200 lengthways	Ast mm	1784			
4.35	Turning radius	W <sub>a</sub> mm	1274			
Performance data	5.3	Lower speed, w. / w.o. load	m/s	0.09 / 0.02		

<sup>1)</sup> 680 mm also possible

<sup>2)</sup> Other fork lengths available

# Benefit from the advantages



Low profile, sturdy forks



Ergonomic operating handle



Permanently lubricated joints for maintenance-free operation

## Special lowered height

It's lowered height of 51 mm makes the AM 15l ideal for use with pallets which have particularly low entry heights.

## Easy to handle

The smooth controls are equally suitable for both left and right-handed operators. The special lowering valve enables loads

to be lowered precisely or in small increments. The standard fast lift function (up to 120 kg) ensures that pallets can be lifted clear of the floor with just a few pump strokes.

## Shorter and more manoeuvrable

The chassis length of just 380 mm allows for reliable and easy operation even in

very confined spaces.

## Quiet and robust

The sturdy bushes on the wheels and joints ensure the truck runs quietly over a long life. Although connections no longer require lubrication; the AM 15l continues to run as smoothly as ever.



Earth Moving and Material Handling Equipment  
Jeddah-Al-Nahda Dist-Prince Sultan Str.  
Kingdom of Saudi Arabia  
P.O. Box 52269 Jeddah 21563  
Email [kbahaa@arabian-roots.com](mailto:kbahaa@arabian-roots.com)  
Mob +966 590950582  
Tel +966 126996628 Ext: 245  
Fax +966 126221473

Jungheinrich  
Vertrieb Deutschland AG & Co. KG

Am Stadtrand 35  
D-22047 Hamburg  
Telephone +49 40 6948-0  
Telefax +49 40 6948-1777

[info@jungheinrich.com](mailto:info@jungheinrich.com)  
[www.jungheinrich.com](http://www.jungheinrich.com)

The German production facilities in Norderstedt and Moosburg are certified. **ISO 9001**  
**ISO 14001**

Jungheinrich fork lift trucks meet European safety requirements.



**JUNGHEINRICH**  
Machines. Ideas. Solutions.