

A single lift cylinder
for easy servicing

Enclosed fork tips

Fast lift as standard
(up to 120 kg)



AMX 10/10e

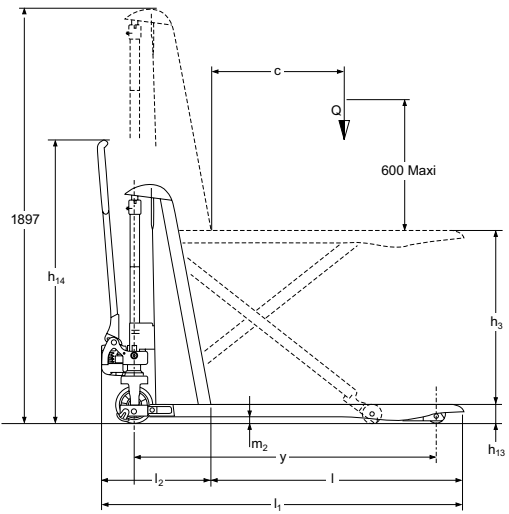
Scissor lift hand pallet truck (1,000 kg)

The truck can be used as a hand pallet truck as well as a lift table, supply table and workbench.

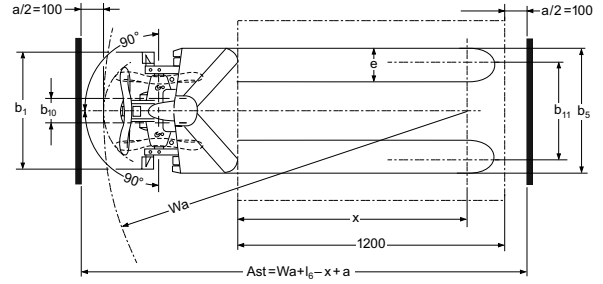
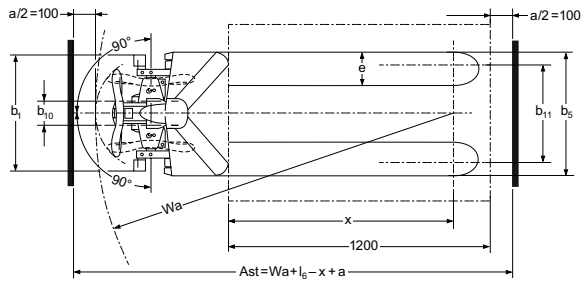
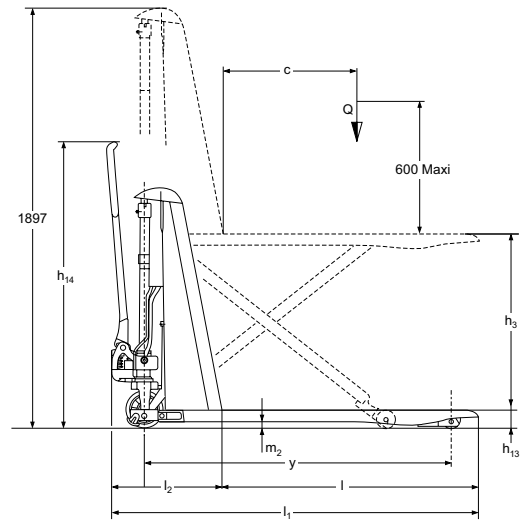
- Steering wheels: Ø 170 mm with a choice of nylon, rubber or polyurethane tyres.
- Load rollers: Ø 82 mm with a choice of nylon or polyurethane tyres.
- Lift height: Up to 800 mm, with additional support legs for stability.
- Lifting and lowering: Manual or electro-hydraulic with 0.5 kW lift motor.
- Forks: Robust, torsion-resistant construction with closed fork tips.
- Battery (only for AMX 10e): 70 Ah C5, maintenance-free.
- AMX 10 with manual hydraulics: The load can be brought to the optimum work height with just a few movements of the tiller. Beyond a certain fork height, the scissor lift hand pallet truck is secured by additional support legs.
- AMX 10e with electro hydraulics: Scissor lift hand pallet trucks are recommended for frequently changing work heights. The work height can be easily adjusted at the touch of a button.

AMX 10/10e

AMX 10



AMX 10e



Technical data in line with VDI 2198

			Jungheinrich	
			AMX 10	AMX 10e
Identification	1.1	Manufacturer (abbreviation)		
	1.2	Model	AMX 10	AMX 10e
	1.3	Drive	manual	Electric
	1.4	Manual, pedestrian, stand-on, seated, order picker operation	hand	hand ²⁾
	1.5	Load capacity/rated load	Q t	1
	1.6	Load centre distance	c mm	600
	1.8	Load distance	x mm	1,030
	1.9	Wheelbase	y mm	1,383
	Weights	2.1	Service weight	kg
2.2		Axle load with load front/rear	kg	406 / 751
2.3		Axle load without load front/rear	kg	101 / 56
Wheels / frame	3.1	Tyres		N,C,V
	3.2	Tyre size, front	mm	Ø 170 x 50
	3.3	Tyre size, rear	mm	Ø 82 x 62
	3.4	Additional wheels (dimensions)	mm	Ø 82 x 62 ³⁾
	3.5	Wheels, number front/rear (x = driven wheels)		2/2
	3.6	Tread width, front	b ₁₀ mm	109
	3.7	Tread width, rear	b ₁₁ mm	440
Basic dimensions	4.4	Lift	h ₃ mm	714
	4.5	Extended mast height	h ₄ mm	1,897
	4.9	Height of tiller in drive position min. / max.	h ₁₄ mm	1,299
	4.15	Height, lowered	h ₁₃ mm	86
	4.19	Overall length	l ₁ mm	1,650
	4.20	Length to face of forks	l ₂ mm	500
	4.21	Overall width	b ₁ /b ₂ mm	560
	4.22	Fork dimensions	s/e/l mm	53 / 150 / 1,150
	4.25	Width across forks	b ₅ mm	560 ¹⁾
	4.32	Ground clearance, centre of wheelbase	m ₂ mm	30
4.34	Aisle width for pallets 800 x 1200 lengthways	Ast mm	2,005	
4.35	Turning radius	W _a mm	1,635	
Performance data	5.2	Lift speed, laden/unladen	m/s	0.03 / 0.05
	5.3	Lowering speed, laden/unladen	m/s	0.11 / 0.04
Electrics	6.2	Lift motor, output at S3 15%	kW	0.0
	6.3	Battery as per DIN 43531 /35/36 A, B, C, no		0.5
	6.4	Battery voltage/nominal capacity K5	V/Ah	12 / 70
	6.5	Battery weight	kg	24

¹⁾ 680 mm also possible

²⁾ Electric and manual lift

³⁾ Lateral support rollers

⁴⁾ On-board charger

Benefit from the advantages



Easy handling

The easy-to-use controls are equally suitable for both left and right-handed operators. The special lowering valve enables loads to be lowered precisely or in small increments.

Adjustable lift height reduces strain on the back

Jobs which involve a great deal of bending and heavy lifting can soon have a detrimental effect on health. The work height of the AMX 10 / AMX 10e can be

varied by a height of up to 800 mm. This ensures back strain is reduced during operation. The scissor lift hand pallet truck can also be equipped with lateral support rollers, so that travel is also possible in the raised position.

Effortless lifting and lowering

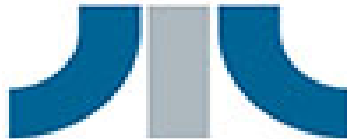
Lifting can be by either manual hydraulic lift (AMX 10) or electro-hydraulic lift (AMX 10e) with a 0.5 kW lift motor. The pump unit has an integrated reservoir. The lowering valve integrated in the pump

unit facilitates precise lowering via hand lever. The hydraulic system is protected against overloading by a pressure relief valve.

Battery and charger (AMX 10e)

A built-in electronic charger is fitted as standard. The maintenance-free battery (70 Ah) can be charged at any standard 240-V socket. The charger automatically switches off when the charging process is completed.

مجموعة الجذور
العربية



Roots Group
ARABIA

Earth Moving and Material Handling Equipment
Jeddah-Al-Nahda Dist-Prince Sultan Str.
Kingdom of Saudi Arabia
P.O. Box 52269 Jeddah 21563
Email kbahaa@arabian-roots.com
Mob +966 590950582
Tel +966 126998628 Ext: 245
Fax +966 126221473

Jungheinrich UK Ltd.

Head Office:
Sherbourne House
Sherbourne Drive
Tilbrook
Milton Keynes MK7 8HX
Telephone 01908 363100
Fax 01908 363180

info@jungheinrich.co.uk
www.jungheinrich.co.uk

The German production facilities in Norderstedt, Moosburg and Landsberg are certified. ISO 9001 ISO 14001

Jungheinrich fork lift trucks meet European safety requirements.



JUNGHEINRICH
Machines. Ideas. Solutions.