

Corrosion protection through
surface hot dip galvanization

Robust and reliable

Compact and manoeuvrable

Unique controls



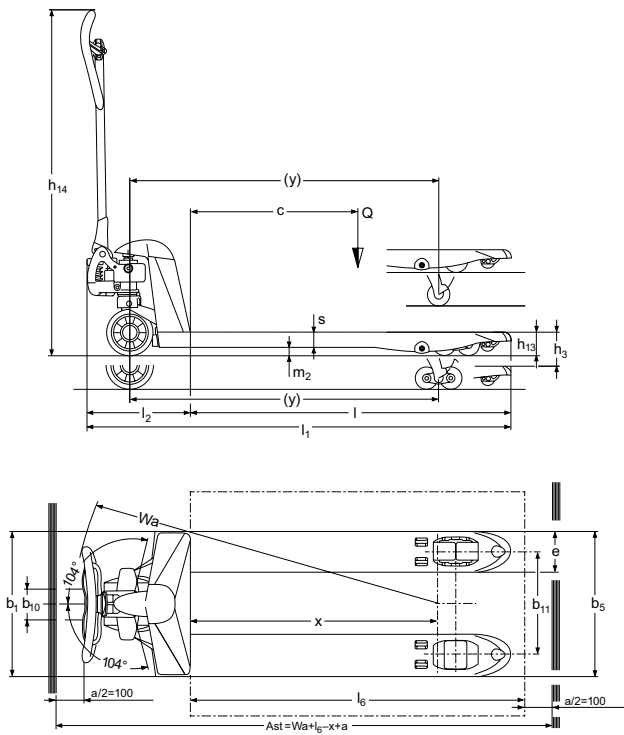
AM G20

Electro-plated hand pallet truck (2,000 kg)

The Jungheinrich AM G20 hand pallet truck is the perfect solution for outdoor operation and in particular humid environments. A zinc coating provides the truck's steel components

with a reliable protection against corrosion. The main application areas include wholesale markets and fruit growing operations.

AM G20



Technical data in line with VDI 2198

Identification	1.1	Manufacturer (abbreviation)		Jungheinrich		
	1.2	Model		AM G20		
	1.3	Drive		manual		
	1.4	Manual, pedestrian, stand-on, seated, order picker operation		hand		
	1.5	Load capacity/rated load	Q t	2		
	1.6	Load centre distance	c mm	400	500	600
	1.8	Load distance	x mm	535	690	890
	1.9	Wheelbase	y mm	755	910	1,110
	Weights	2.1	Service weight	kg	51 ¹⁾	54 ¹⁾
2.3		Axle load without load front/rear	kg			38 / 20 ³⁾
Wheels / frame	3.1	Tyres		V,N		
	3.2	Tyre size, front	mm	Ø 170x50		
	3.3	Tyre size, rear	mm	Ø 82x96 ⁴⁾		
	3.5	Wheels, number front/rear (x = driven wheels)		2/2 or 2/4		
	3.6	Tread width, front	b ₁₀ mm	109		
	3.7	Tread width, rear	b ₁₁ mm	370		
	Basic dimensions	4.4	Lift	h ₃ mm	122	
4.9		Height of tiller in drive position min. / max.	h ₁₄ mm	1,234		
4.14		Standing height raised	h ₁₂ mm	205		
4.15		Height, lowered	h ₁₃ mm	83		
4.19		Overall length	l ₁ mm	1,165	1,320	1,520
4.20		Length to face of forks	l ₂ mm	373		
4.21		Overall width	b ₁ /b ₂ mm	520 ²⁾		
4.22		Fork dimensions	s/e/l mm	53 / 150 / 795	53 / 150 / 950	53 / 150 / 1,150
4.25		Width across forks	b ₅ mm	520 ²⁾		
4.32		Ground clearance, centre of wheelbase	m ₂ mm	30		
4.33		Aisle width for pallets 1000 x 1200 sideways	A _{st} mm	1,584	1,584	1,734
4.34	Aisle width for pallets 800 x 1200 lengthways	A _{st} mm	1,784			
4.35	Turning radius	W _a mm	919	1,074	1,274	
Performance data	5.3	Lowering speed, laden/unladen	m/s	0.09 / 0.02		

¹⁾ + 5 kg at 680 mm width across forks

²⁾ 680 mm also possible

³⁾ Width 520 mm

⁴⁾ Ø 82x62 mm tandem tyres

Benefit from the advantages



AM G20 - corrosion protection through galvanisation



Maintenance-free hydraulics



Permanently lubricated joints for maintenance-free operation



Contoured fork tips for easy pallet entry

Galvanised surface

High level of corrosion protection offered by surface hot dip galvanisation.

Easy to operate

The easy to operate control handle is suitable for both left and right-handers. The special lowering valve enables loads to be lowered precisely.

More compact and manoeuvrable

The chassis length of 373 mm allows the truck to be used safely and easily in confined areas.

Effortless and simple

The further optimised hydraulic system reduces the pumping action required. The bushes on the wheels reduce the required drawbar pull.

Quiet and robust

The chromed bushes on the wheels and joints ensure quiet running and an exceptionally long service life. Joints no longer require lubrication; the AM G20 still runs smoothly.

Clear and safe

Markings on the truck show the exact pallet position required for crossways

Durable

The best guarantees for maximum stability and durability:

- More stable forks.
- Contoured shapes.
- Welded tiller mounting.
- Protected entry rollers.
- High Quality Hardened steel.
- 2000 kg capacity for the basic model.

Optional equipment

The AM G20 can be equipped for any application thanks to an extensive range of optional equipment. This includes a range of fork lengths, various widths, wheel combinations and brake systems.

مجموعة الجذور
العربية



Roots Group
ARABIA

Earth Moving and Material Handling Equipment
Jeddah-Al-Nahda Dist-Prince Sultan Str.
Kingdom of Saudi Arabia
P.O. Box 52269 Jeddah 21563
Email kbahaa@arabian-roots.com
Mob +966 590950582
Tel +966 126996628 Ext: 245
Fax +966 126221473

Jungheinrich UK Ltd.

Head Office:
Sherbourne House
Sherbourne Drive
Tilbrook
Milton Keynes MK7 8HX
Telephone 01908 363100
Fax 01908 363180

info@jungheinrich.co.uk
www.jungheinrich.co.uk

The German production facilities in Norderstedt, Moosburg and Landsberg are certified. ISO 9001 ISO 14001

Jungheinrich fork lift trucks meet European safety requirements.



JUNGHEINRICH
Machines. Ideas. Solutions.