

Powerful and efficient with 3-phase AC drive motor

Extremely manoeuvrable due to compact design

High driving and cornering stability due to integrated support wheels

Maintenance-free gel battery and integrated charger

Built-in weighing system (optional)



EJE M13/M15

Electric Pedestrian Pallet Truck (1,300/1,500 kg)

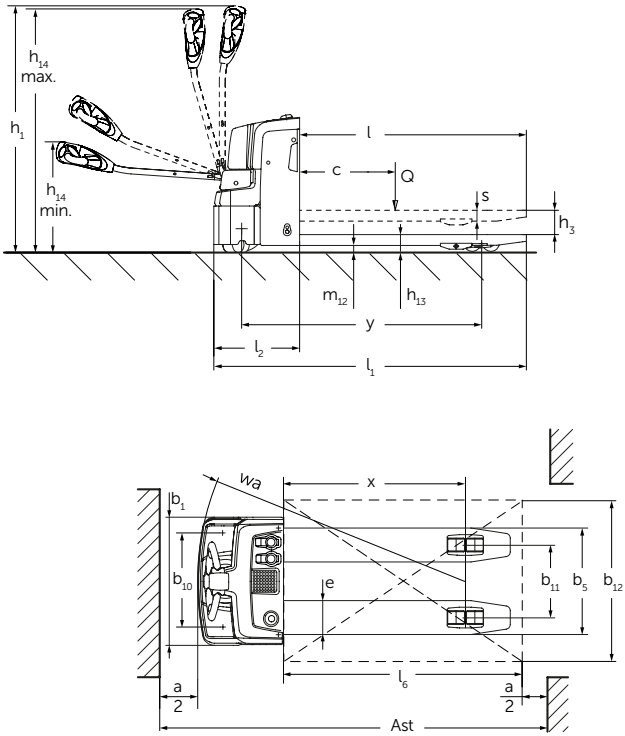
The EJE M13 and EJE M15 trucks were specially developed for the internal transfer of lighter goods. The 0.6-kW drive motor supports the transport of pallets and goods weighing up to 1500 kg over short distances. Therefore the EJE M13 and EJE M15 are ideal for use in small and medium-sized companies with an occasional need for goods transport.

Thanks to the maintenance-free, powerful 3-phase AC motor, energy consumption is reduced and the best conditions are provided for rapid and cost-efficient goods throughput.

This gives the EJE M13 and EJE M15 their advantages, particularly in confined spaces: Their compact design, the low front end length (l2) of just 435 mm and the low overall height guarantee maximum manoeuvrability and offer every operator an optimum view of the fork tips.

In addition, two sprung and cushioned support wheels ensure safe and stable travel. A gel battery used in conjunction with a built-in charger allows for flexible operation, without having to fill up the battery with water.

EJE M13/M15



Technical data in line with VDI 2198

		Jungheinrich								
		EJE M13	EJE M13 ⁵⁾	EJE M15	EJE M15 ⁵⁾	EJE M15				
Identification	1.1	Manufacturer (abbreviation)								
	1.2	Model								
	1.3	Drive	Electric							
	1.4	Manual, pedestrian, stand-on, seated, order picker operation	pedestrian							
	1.5	Load capacity/rated load	Q	t	1.3	1.3	1.5	1.5	1.5	
	1.6	Load centre distance	c	mm	600					
	1.8	Load distance	x	mm	914	894	914	894	764	
	1.9	Wheelbase	y	mm	1,212	1,212	1,212	1,212	1,062	
	Weights	2.1.1	Net weight incl. battery (see row 6.5)			kg	214	253	219	258
2.2		Axle load with load front/rear			kg	696 / 1,018	716 / 1,037	700 / 1,019	720 / 1,038	700 / 1,019
2.3		Axle load without load front/rear			kg	162 / 52	184 / 69	166 / 53	188 / 70	166 / 53
Wheels / frame	3.1	Tyres	TPU/PU							
	3.2	Tyre size, front			mm	Ø230x65				
	3.3	Tyre size, rear			mm	Ø80x70				
	3.4	Additional wheels (dimensions)			mm	2 x Ø80x40				
	3.5	Wheels, number front/rear (x = driven wheels)				1x+2/4				
	3.6	Tread width, front	b ₁₀	mm	460					
	3.7	Tread width, rear	b ₁₁	mm	368					
Basic dimensions	4.4	Lift			h ₃	mm				
	4.9	Height of tiller in drive position min. / max.			h ₁₄	mm				
	4.15	Height, lowered			h ₁₃	85	90	85	90	85
	4.19	Overall length			l ₁	1,585	1,605	1,585	1,605	1,435
	4.20	Length to face of forks			l ₂	435	455	435	455	435
	4.21	Overall width			b ₁ /b ₂	650 ²⁾	650	650 ²⁾	650	650 ²⁾
	4.22	Fork dimensions			s/e/l	55 / 172 / 1,150	60 / 182 / 1,150	55 / 172 / 1,150	60 / 182 / 1,150	55 / 172 / 1,000
	4.25	Width across forks			b ₅	540 ¹⁾	550	540 ¹⁾	550	540 ¹⁾
	4.32	Ground clearance, centre of wheelbase			m ₂	mm				
	4.33	Aisle width for pallets 1000 x 1200 sideways			Ast	1,643	1,663	1,643	1,663	1,493
4.34	Aisle width for pallets 800 x 1200 lengthways			Ast	1,843	1,863	1,843	1,863	1,693	
4.35	Turning radius			W _a	1,357	1,357	1,357	1,357	1,207	
Performance data	5.1	Travel speed, laden/unladen			km/h	4.5 / 5				
	5.2	Lift speed, laden/unladen			m/s	0.05 / 0.06				
	5.3	Lowering speed, laden/unladen			m/s	0.08 / 0.04				
	5.8	Max. gradeability, laden/unladen			%	4 / 10				
	5.10	Service brake				electric				
Electrics	6.1	Drive motor, output S2 60 min.			kW	0.6				
	6.2	Lift motor kW output at S3 5 %			kW	1.2				
	6.3	Battery as per DIN 43531 /35/36 A, B, C, no				no				
	6.4	Battery voltage/ nominal capacity			V/Ah	24 / 65 ³⁾	24 / 65 ³⁾	24 / 90 ⁴⁾	24 / 90 ⁴⁾	24 / 90 ⁴⁾
	6.5	Battery weight			kg	35	35	53	53	53
	6.6	Energy consumption according to VDI cycle			kWh/h	0.24	0.24	0.27	0.27	0.27
Misc.	8.1	Type of drive control				AC SpeedControl				
	8.4	Sound pressure level at operator's ear as per EN 12053			dB (A)	66				

¹⁾ 670 mm also possible

²⁾ If b₅ = 670 mm, b₁/b₂ = 670 mm

³⁾ Specification battery voltage/nominal capacity at K20; at K5: 24V, 53.3Ah

⁴⁾ Specification battery voltage/nominal capacity at K20; at K5: 24V, 70Ah

⁵⁾ with integrated weighing function

Benefit from the advantages



Centralized control instruments



Optimal stability due to spring load support wheels



Ergonomic designed tiller head



Weighing device (optional)

Innovative drive and control technology

Motors with 3-phase AC technology offer many advantages and more efficiency while simultaneously reducing the operating costs thanks to the perfect match with our own controllers:

- High efficiency levels with excellent energy management.
- Rapid directional change without delay.
- No carbon brushes mean the drive motor is maintenance-free.

Energy efficiency

Economic energy management increases the efficiency and lifetime of the battery and components:

- Smart shut down: the EJE M13 shuts down automatically after 30 minutes without use.
- Energy recovery due to regenerative braking.

Compact design

Thanks to their compact design, the EJE M13 and the EJE M15 are perfect for use in confined spaces.

- High manoeuvrability due to short chassis dimension and low overall height.
- Important instruments such as battery discharge indicator, hourmeter, emergency disconnect and key are centrally located on the truck.
- Sufficient storage space even with slender design.

Ergonomic operations

The trucks are perfectly adapted to the ergonomic needs of the operator:

- Reduced force required while steering due to low-mounted tiller.
- Dual-sided operation of tiller handle for ergonomic and safe use.

Optimum stability

The EJE M13 and EJE M15 have two sprung support rollers installed along-

side the drive wheel. These increase the stability of the truck, thereby reducing the risk of transport damage. Entry rollers have also been fitted to the fork tips on the standard model to ensure the easy picking up of pallets.

Safe operation

Various safety measures reduce the risk of injury for operators and guarantee a high level of safety:

- Reduced risk of foot injuries due to low ground clearance of only 35 mm.
- Additional protection due to the complete closed housing, in particular the lift cylinder.

Options

As an option, the EJE M13 and the EJE M15 can be ordered with a weighing system. This enables goods to be weighed and moved using just one truck. Four weighing cells provide optimal results with a deviation of less than 1% across the entire weighing range.

مجموعة الجذور
العربية



Roots Group
ARABIA

Earth Moving and Material Handling Equipment
Jeddah-Al-Nahda Dist-Prince Sultan Str.
Kingdom of Saudi Arabia
P.O. Box 52269 Jeddah 21583
Email kbahaa@arabian-roots.com
Mob +966 590950582
Tel +966 126996628 Ext: 245
Fax +966 126221473

Jungheinrich Aktiengesellschaft

Friedrich-Ebert-Damm 129
D-22047 Hamburg
Telephone +49 40 6948-0
Telefax +49 40 6948-1777

info@jungheinrich.com
www.jungheinrich.com

Jungheinrich fork lift
trucks meet European
safety requirements.



JUNGHEINRICH
Machines. Ideas. Solutions.