

Multi-pallet transport  
of up to three pallets

Ergonomic operator  
seat layout

Two drive motors

Sideways battery removal

360° steering

3-phase AC technology  
(48 V) for high torques and  
dynamic movement



## ESE 533

### Electric sideways-seated pallet truck (3,300 kg)

Jungheinrich ESE 533 electric sideways seated pallet trucks are ideal for multi-pallet transportation over medium/long distances. They are equipped with 48 volt 3 phase motors which ensure smooth, powerful acceleration and high top speeds giving high productivity.

This high performance level is extremely easy to use and offers very high levels of safety: travel speed, brakes and deadman switch are all controlled by easily reachable pedals. All other functions can be controlled from the conveniently situated controls.

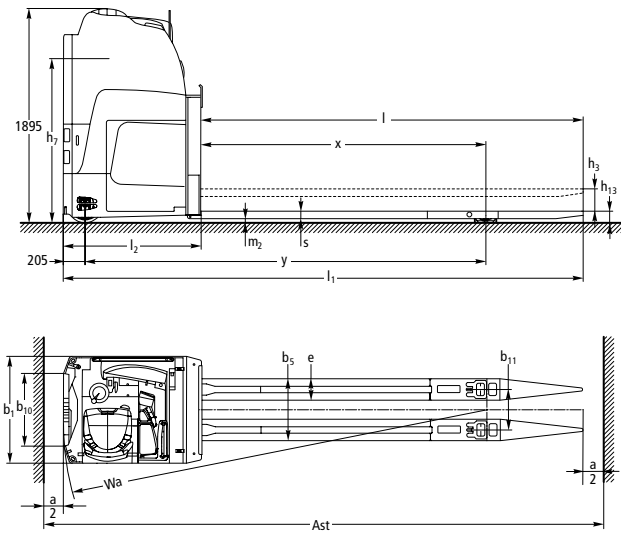
The optional height-adjustable footplate and the adjustable steering wheel ensure a comfortable seating position for all

operators. The 360° steering mode allows shunting by continuous changes of direction of travel in only a few turns of the steering wheel. The changeover between forwards and reverse can also be performed simply by pressing a button. The large display offers a quick overview of the steering setting, battery status and the available travel programmes.

In addition to this the ESE 533 offers many advantages from its robust design. The chassis and load sections are designed for capacities up to 3,300 kg.

The ESE 533 draws its energy from even the most intensive applications from high-power batteries with a capacity of up to 1,000 Ah.

# ESE 533



# Technical data in line with VDI 2198

Identification	1.1	Manufacturer (abbreviation)		Jungheinrich
	1.2	Model		<b>ESE 533</b>
	1.3	Drive		Electric
	1.4	Manual, pedestrian, stand-on, seated, order picker operation		seat
	1.5	Load capacity/rated load	Q t	3.3
	1.6	Load centre distance	c mm	1,800
	1.8	Load distance	x mm	2,630
	1.9	Wheelbase	y mm	3,770 / 3,720 <sup>1)</sup>
	Weights	2.1.1	Net weight incl. battery (see row 6.5)	kg
2.2		Axle load with load front/rear	kg	3,460 / 3,320
2.3		Axle load without load front/rear	kg	2,750 / 730
Wheels / frame	3.1	Tyres		Vulkollan
	3.2	Tyre size, front	mm	Ø 343 x 140
	3.3	Tyre size, rear	mm	Ø 90 x 100
	3.5	Wheels, number front/rear (x = driven wheels)		2x / 4
	3.6	Tread width, front	b <sub>10</sub> mm	592
	3.7	Tread width, rear	b <sub>11</sub> mm	380
	Basic dimensions	4.4	Lift	h <sub>3</sub> mm
4.8		Seat height/stand height	h <sub>7</sub> mm	1,470
4.15		Height, lowered	h <sub>13</sub> mm	95
4.19.1		total length (long)	mm	4,895
4.20		Length to face of forks	l <sub>2</sub> mm	1,295
4.21		Overall width	b <sub>1</sub> /b <sub>2</sub> mm	1,000
4.22		Fork dimensions	s/e/l mm	70 / 200 / 3,600
4.25		Width across forks	b <sub>5</sub> mm	580
4.32		Ground clearance, centre of wheelbase	m <sub>2</sub> mm	20
4.34		Aisle width for pallets 800 x 1200 lengthways	Ast mm	5,196
4.35	Turning radius	W <sub>a</sub> mm	3,982 / 3,922 <sup>1)</sup>	
Performance data	5.1	Travel speed, laden/unladen	km/h	19 / 20
	5.2	Lift speed, laden/unladen	m/s	0.056 / 0.06
	5.3	Lowering speed, laden/unladen	m/s	0.052 / 0.05
	5.7	Gradeability laden/unladen	%	5 / 10
	5.10	Service brake		electric
Electrics	6.1	Drive motor, output S2 60 min.	kW	6.9 / 6,9 <sup>2)</sup>
	6.2	Lift motor, output at S3 15%	kW	3.0
	6.3	Battery as per DIN 43531 / 35/36 A, B, C, no		no
	6.4	Battery voltage/nominal capacity K5	V/Ah	48 / 1,000
	6.5	Battery weight	kg	1,450
Misc.	8.1	Type of drive control		Mosfet / AC

<sup>1)</sup> Lowered / raised

<sup>2)</sup> Power 1st motor / Power 2nd motor

In accordance with VDI Guideline 2198 this specification sheet provides details of the standard truck only. Non-standard tyres, different masts, optional equipment, etc. may result in different values.

# Benefit from the advantages



Optimal arrangement of controls



Generous legroom with individual foot height adjustment



Large service points allow easy access to all main components



Comfort charging

## Greater efficiency with three-phase AC technology

Powerful three-phase AC technology offers a whole range of advantages compared with conventional DC motors:

- Powerful acceleration.
- No carbon brushes – maintenance-free drive motor.
- Energy recovery by regenerative braking.

## Ergonomic cab

The operator position provides ideal working conditions for relaxed, high performance. Its strengths:

- Adjustable seat (seating position / body weight) for all drivers.
- Individual foot height adjustment.
- Important controls within easy reach.
- Generous space.
- 360° 3phase steering with optimised steering wheel position.
- Steering wheel adjustment.

## Easy operation with SOLO-PILOT

The controls for activating all hydraulic functions and also selecting the travel direction and sounding the horn.

- All the controls are within the field of vision and are clearly designated for its particular function.
- Comfortable armrest.

## Load sections for handling pallets lengthways and crossways

The load sections come in different versions to suit different applications:

- Crossways and lengthways pallet lifting.
- Various fork lengths.

## Lower maintenance costs

Service-friendly components and a robust design from top to bottom ensure lower maintenance costs in the long term:

- The drawbars are easy to adjust.
- Quick access to all components through large, easy to open service hatches.

- Thermal separation of drive motor, hydraulics and electrical systems.
- Maintenance-free 3-phase AC drive motor with no carbon brushes.

## Powerful batteries

- 48 V /1000 Ah EPzB.
- Lateral battery exchange.

## Easy-to-read operator display

High-quality control instruments for displaying the most important operating data.

- Display of direction of travel and wheel position.
- Battery status with residual time display.
- Speed.
- Elapsed distance.
- A choice of three travel programs for individual adaptation to any needs.
- Operating hours and time of day.



Earth Moving and Material Handling Equipment  
Jeddah-Al-Nahda Dist-Prince Sultan Str.  
Kingdom of Saudi Arabia  
P.O. Box 52289 Jeddah 21583  
Email kbahaa@arabian-roots.com  
Mob +966 590950582  
Tel +966 128996628 Ext: 245  
Fax +966 126221473

The German production facilities in Norderstedt, Moosburg and Landsberg are certified. ISO 9001 ISO 14001

Jungheinrich fork lift trucks meet European safety requirements.



**JUNGHEINRICH**  
Machines. Ideas. Solutions.