

Flexible operation even on small ramps and uneven ground

Powerful and efficient with maintenance-free AC drive motor

Compact due to extremely short chassis length

Sensitive lifting and lowering from the tiller through speed-controlled hydraulic motor

Comfortable working environment with practical storage trays for pencils and documents



EJC 112 RK

Electric pedestrian stacker (1,200 kg)

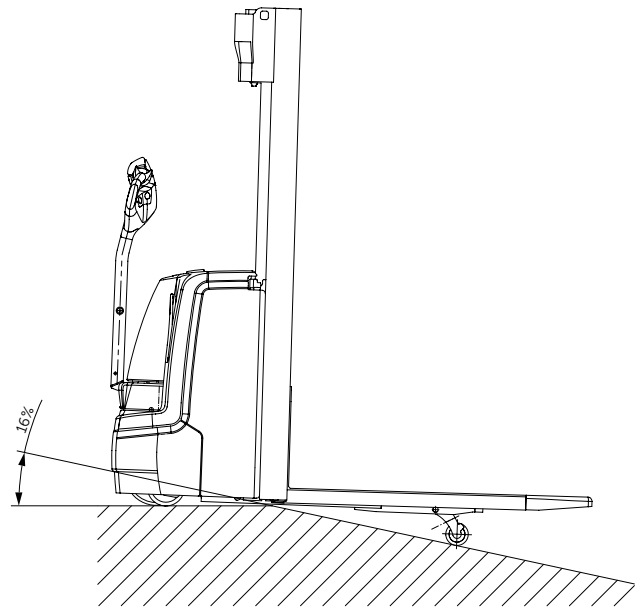
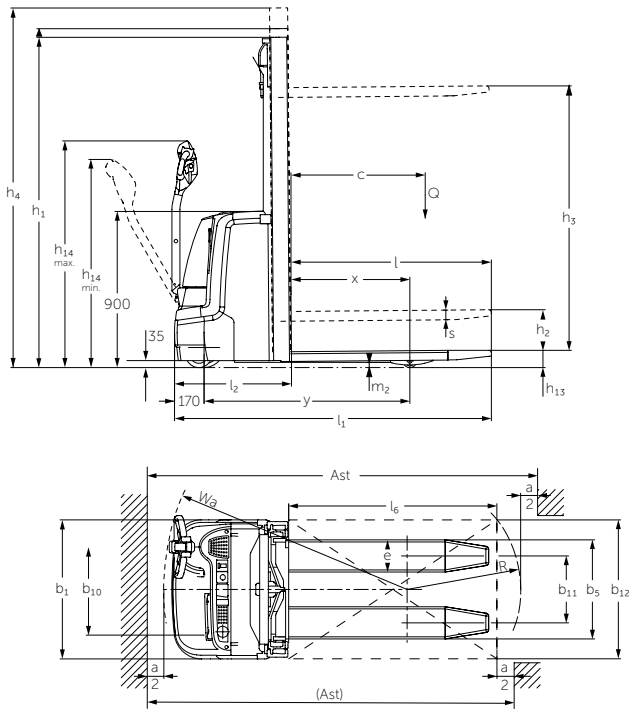
The strength of the EJC series 1 pedestrian stackers lies in transportation over short distances and stacking up to heights of 3,600 mm. With a narrow aisle width, the EJC is extremely light and safe to manoeuvre even in restricted areas. There is also the option to move the truck in crawl speed mode with the tiller in the upright position.

There is also a powerful 24-volt 3-phase AC drive motor. The optimum efficiency of this motor ensures high speed and outstanding acceleration in any situation - essential for rapid, efficient throughput.

The ramp comfort feature activates a simple support arm lift. This increases the ground clearance significantly - in particular around the front support arm. The advantage: Easy crossing of thresholds, uneven surfaces or small ramps without grounding. Another advantage: The very precise, sensitive lift control. In particular, it makes it easier to stack large loads in narrow racking. The low noise levels whilst lifting slowly reduce operator fatigue. The proportional hydraulics ensure that

loads can be lowered gently either to the ground or into the racking. The EJC 112 draws its energy from batteries with capacities of up to 200 Ah. A built-in charger (optional) ensures easy, reliable battery charging (also available with quick charging function) at any standard 240-volt socket. Practical storage compartments on the dashboard and on the front of the truck ensure that all the tools and equipment you may need, such as pens, knives or documents, are within easy reach.

EJC 112 RK



| Standard mast types EJC 112 RK | | | | |
|--------------------------------|-----------------------|--|----------------------------|---------------------------------------|
| | Lift h_3 (mm) | Lowered mast height ¹⁾ h_1 (mm) | Free lift h_2 (mm) | Extended mast height h_4 (mm) |
| Duplex ZT | 2500 | 1750 | 100 | 2975 |
| | 2700 | 1850 | 100 | 3175 |
| | 2900 | 1950 | 100 | 3375 |
| | 3200 | 2100 | 100 | 3675 |
| | 3600 | 2300 | 100 | 4075 |
| Duplex ZZ | 2500 | 1700 | 1225 | 2975 |
| | 2900 | 1900 | 1425 | 3375 |
| | 3200 | 2050 | 1575 | 3675 |
| | 3600 | 2250 | 1775 | 4075 |

¹⁾ with 100 mm free lift

Technical data in line with VDI 2198

| | | | | |
|------------------|---|--|--|-------------------|
| Identification | 1.1 | Manufacturer (short form) | | Jungheinrich |
| | 1.2 | Model | | EJC 112 RK |
| | 1.3 | Drive | | Electrics |
| | 1.4 | Manual, pedestrian, stand-on, seated, order picker operation | | Pedestrian/tiller |
| | 1.5 | Load capacity/rated load | Q t | 1.2 |
| | 1.6 | Load centre distance | c mm | 600 |
| | 1.8 | Load distance | x mm | 683 |
| | 1.9 | Wheelbase | y mm | 1186 |
| | Weights | 2.1.1 | Net weight incl. battery (see row 6.5) | kg |
| 2.2 | | Axle load, w. load, front / rear | kg | 650 / 1380 |
| 2.3 | | Axle load, w.o. load, front / rear | kg | 580 / 250 |
| Wheels / chassis | 3.1 | Tyres | | PU |
| | 3.2 | Tyre size, at front | mm | Ø 230 x 70 |
| | 3.3 | Tyre size, at rear | mm | Ø 85x90 |
| | 3.4 | Additional wheels (dimensions) | mm | Ø 140x54 |
| | 3.5 | Wheels, number front/rear (x = driven wheels) | | 1x +1/2 |
| | 3.6 | Track width, front | b ₁₀ mm | 507 |
| | 3.7 | Track width, rear | b ₁₁ mm | 400 |
| Basic dimensions | 4.2 | Mast height (lowered) | h ₁ mm | 1950 |
| | 4.3 | Free lift | h ₂ mm | 100 |
| | 4.4 | Lift | h ₃ mm | 2900 |
| | 4.5 | Extended mast height | h ₄ mm | 3375 |
| | 4.9 | Height of tiller in drive position min. / max. | h ₁₄ mm | 850 / 1305 |
| | 4.15 | Lowered height | h ₁₃ mm | 90 |
| | 4.19 | Overall length | l ₁ mm | 1822 |
| | 4.20 | Length incl. back of forks | l ₂ mm | 672 |
| | 4.21 | Total width | b ₁ /b ₂ mm | 800 / 800 |
| | 4.22 | Fork dimensions | s/e/l mm | 56 / 185 / 1150 |
| | 4.25 | Width over forks | b ₅ mm | 570 |
| | 4.32 | Floor clearance centre wheelbase | m ₂ mm | 30 |
| | 4.33 | Aisle width for pallets 1000 × 1200 sideways | Ast mm | 2285 |
| 4.34 | Aisle width for pallets 800 × 1200 lengthways | Ast mm | 2259 | |
| 4.35 | Turning radius | W _s mm | 1405 | |
| Performance data | 5.1 | Travel speed, w. / w.o. load | km/h | 6 / 6 |
| | 5.2 | Lift speed, w. / w.o. load | m/s | 0.12 / 0.22 |
| | 5.3 | Lower speed, w. / w.o. load | m/s | 0.33 / 0.33 |
| | 5.8 | Max. gradeability, laden/unladen | % | 8 / 16 |
| | 5.10 | Service brake | | generated |
| Electrics | 6.1 | Drive motor rating S2 60 min. | kW | 1.0 |
| | 6.2 | Lift motor, output at S3 (on time) 12 % | kW | 2 |
| | 6.3 | Battery according to DIN 43531/35/36 A,B,C, no | | British Standard |
| | 6.4 | Battery voltage/nominal capacity K5 | V/Ah | 24 / 200 |
| | 6.5 | Battery weight | kg | 185 |
| | 6.6 | Energy consumption according to VDI cycle | kWh/h | 0.93 |
| Misc. | 8.1 | Type of drive control | | AC SpeedControl |
| | 8.4 | Sound pressure level at operator's ear according to EN 12053 | dB (A) | 62 |

Benefit from the advantages



Ramp comfort for uneven floors and gradients

Two robust cylinders increase the ground clearance under the support arms. The truck tips back slightly, ensuring that the load has a secure centre of gravity. This allows the EJC to easily overcome thresholds, gradients and uneven ground.

Innovative drive technology and control

Our 3-phase AC motors offer improved performance with the simultaneous reduction of running costs thanks to linking with Jungheinrich's own controllers. Make the most of these advantages:

- High level of efficiency with excellent energy management.
- Powerful acceleration.
- Rapid direction change.
- Maintenance-free drive motor.

Manoeuvrable and compact

Thanks to its short aisle width, the EJC is also ideal for operating in restricted areas. It is also possible to continue working by pressing the crawl speed button and having the tiller in an upright position.

Precise and comfortable stacking and retrieval

Loads can be stacked and retrieved safely and efficiently thanks to:

- Precise and gentle lifting of the load by speed-controlled hydraulic motor.
- Gentle depositing of loads using proportional hydraulics
- Long safety tiller ensures sufficient distance between the operator and the truck.
- Less noise produced with slow lifting via lift control.

Practical storage compartments

The EJC offers plenty of storage space for keeping tools and equipment within easy reach:

- Paper compartment in the front panel.
- Storage compartments in the dashboard.
- Clip pad (in combination with the optional metal cover).

Service-friendly technology

- Service access ports in the front apron allow solid tyres to be changed quickly.

- Support wheel with bayonet mechanism enables wheels to be changed with the truck only slightly raised.
- Tiller electronics sealed to protect against moisture and dirt as per IP 65.
- Electronic controls and built-in charger (optional) sealed to protect against moisture and dirt as per IP 54.

Long operating time

Battery capacities up to 200 Ah ensure a long operational life. Built-in charger (optional) for straight-forward charging at any standard 240-V socket (also available with quick charging function for charging within a shift).

Additional equipment

- CanDis: Discharge indicator and hourmeter.
- CanCode: Access control via PIN.
- Load guard.
- Connection option e.g. for terminal, scanner or printer.
- Particularly robust metal battery lid for heavy-duty applications.



Earth Moving and Material Handling Equipment
Jeddah-Al-Nahda Dist-Prince Sultan Str.
Kingdom of Saudi Arabia
P.O. Box 52269 Jeddah 21583
Email kbahaa@arabian-roots.com
Mob +966 590950582
Tel +966 126998628 Ext: 245
Fax +966 126221473

The German production facilities in Norderstedt and Moosburg are certified. **ISO 9001**
ISO 14001

Jungheinrich fork lift trucks meet European safety requirements.



JUNGHEINRICH
Machines. Ideas. Solutions.