

Compact due to extremely short chassis length

Powerful thanks to maintenance-free 3-phase AC drive motor

Optimum driving characteristics with fixed ProTracLink torsion bar

Precise load positioning with sensitive lifting of the load

Innovative lithium-ion Technology (optional)

Very low noise levels with silentDRIVE (optional)



EJD 118

Electric pedestrian stacker (1,800 kg)

The Jungheinrich EJD 118 electric pedestrian controlled truck shows its strengths wherever high performance levels and universal applications are in demand despite the space limitations. It combines the features of a pedestrian pallet truck and stacker in one truck and is also small and compact:

- The EJD 118 is a cost effective pedestrian pallet truck for use over short transport distances with loads weighing up to 2000 kg.
- It can be used as a stacker truck for stacking tasks up to a lift height of 2100 mm.
- As a double-deck stacker, the EJD can pick up two Euro pallets stacked on top of each other at the same time, cutting operating times in half (capacity in double deck mode: 800 kg in mast lift and 1000 kg in support arm lift)

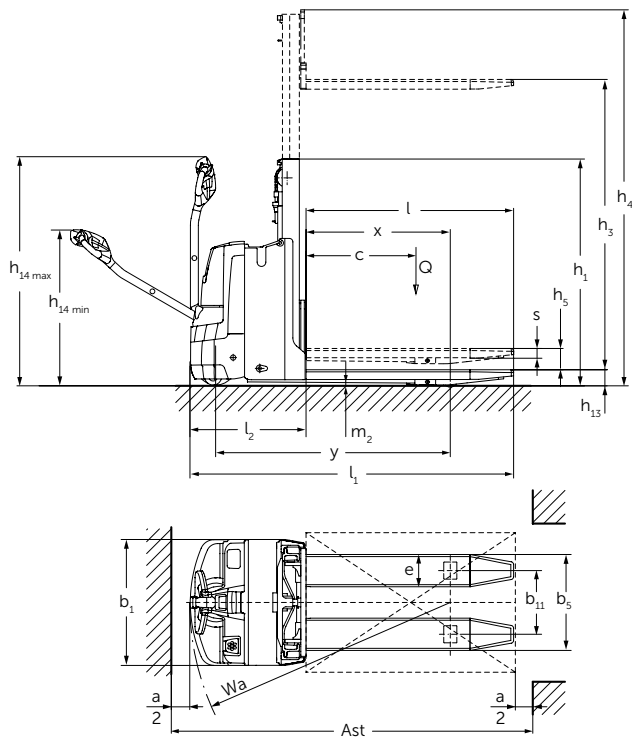
The speed-controlled hydraulic motor and optionally available proportional hydraulics ensure fast and reliable handling of pallets. Precise load positioning with sensitive lifting (standard) as well as the gentle depositing of sensitive goods in racking or on the floor (optional) at all times are effortless tasks for the EJD 118.

With its short front-end length of just 660 mm and narrow aisle width the EJD 118 can be used in shops, in very tight storage areas or on an HGV. It also features a low overall height with the viewing window integrated into the mast. This ensures that each operator, irrespective of their height, always has an optimal view of the forks and surrounding areas. The long tiller requires little steering effort and increases safety.

The EJD also offers easy handling in terms of energy: The optionally available, maintenance-free lithium ion battery (110 Ah) can be recharged at any 230 V mains socket using the built-in charger. The rapid and boost charge features facilitate flexible usage even in multi-shift operation. The SilentDrive option also provides an ideal basis for use in noise-sensitive areas or periods.

The EJD 118 is a pedestrian controlled truck designed for universal use. Thanks to its compact design and low weight it can also perform transport and stacking operations efficiently in confined spaces.

EJD 118



Standard mast designs EJD 118

	Lift h_3 (mm)	Lowered mast height h_1 (mm)	Free lift h_2 (mm)	Extended mast height h_4 (mm)
Single E	1500	1964	1479	1985
	2100	2564	2079	2585
Duplex ZT	1660	1350	100	2150
	2010	1530	100	2500
	2100	1570	100	2590

Technical data in line with VDI 2198

Identification	1.1	Manufacturer (abbreviation)		Jungheinrich	
	1.2	Model		EJD 118	
				Battery compartment S	Battery compartment M
	1.3	Drive		Electric	
	1.4	Manual, pedestrian, stand-on, seated, order picker operation		pedestrian	
	1.5	Load capacity/rated load	Q t	1.8 ³⁾	
	1.5.1	Load capacity/mast lift	Q t	1 ³⁾	
	1.5.2	Load capacity/support arm lift	Q t	2 ³⁾	
	1.6	Load centre distance	c mm	600	
1.8	Load distance	x mm	912		
1.9	Wheelbase	y mm	1,426	1,488	
Weights	2.1.1	Net weight incl. battery (see row 6.5)	kg	737	787
	2.2	Axle load with load front/rear	kg	951 / 1,598	970 / 1,629
	2.3	Axle load without load front/rear	kg	540 / 197	575 / 212
Wheels / frame	3.1	Tyres		PU	
	3.2	Tyre size, front	mm	Ø 230 x 65	
	3.3	Tyre size, rear	mm	Ø 75 x 95 / Ø 75 x 75	
	3.4	Additional wheels (dimensions)	mm	Ø 100 x 40	
	3.5	Wheels, number front/rear (x = driven wheels)		1x + 2 / 2 or 4	
	3.6	Tread width, front	b ₁₀ mm	508	
	3.7	Tread width, rear	b ₁₁ mm	365	
Basic dimensions	4.4	Lift	h ₃ mm	1,660	
	4.6	Initial lift	h ₅ mm	122	
	4.9	Height of tiller in drive position min. / max.	h ₁₄ mm	797 / 1,313	
	4.15	Height, lowered	h ₁₃ mm	86	
	4.19	Overall length	l ₁ mm	1,858	1,920
	4.20	Length to face of forks	l ₂ mm	660	722
	4.21	Overall width	b ₁ /b ₂ mm	726	
	4.22	Fork dimensions	s/e/l mm	56 / 185 / 1,190	
	4.25	Width across forks	b ₅ mm	550	
	4.32	Ground clearance, centre of wheelbase	m ₂ mm	20	
	4.33	Aisle width for pallets 1000 x 1200 sideways	Ast mm	2,058 ²⁾	2,120 ²⁾
4.34	Aisle width for pallets 800 x 1200 lengthways	Ast mm	2,068 ¹⁾	2,130 ¹⁾	
4.35	Turning radius	W _a mm	1,524 ⁴⁾	1,586 ⁴⁾	
Performance data	5.1	Travel speed, laden/unladen	km/h	6 / 6	
	5.2	Lift speed, laden/unladen	m/s	0.16 / 0.3	
	5.3	Lowering speed, laden/unladen	m/s	0.19 / 0.19	
	5.8	Max. gradeability, laden/unladen	%	8 / 15	
	5.10	Service brake		regenerative	
Electrics	6.1	Drive motor, output S2 60 min.	kW	1.0	
	6.2	Lift motor, output at S3 15%	kW	1.2	
	6.3	Battery as per DIN 43531 /35/36 A, B, C, no		43535 B	
	6.4	Battery voltage/nominal capacity K5	V/Ah	24 / 150	24 / 250
	6.5	Battery weight	kg	151	200
	6.6	Energy consumption according to VDI cycle	kWh/h	0.36	0.4
Misc.	8.1	Type of drive control		AC speedCONTROL	
	8.4	Sound pressure level at operator's ear as per EN 12053	dB (A)	64	

¹⁾ Diagonal in accordance with VDI: + 186 mm

²⁾ Diagonal in accordance with VDI: + 289 mm

³⁾ In double-deck operation: Mast lift 0.8 t / overall load max. 1.8 t

⁴⁾ Load section raised, when load section lowered + 48 mm

Benefit from the advantages



Double-deck operation: loading of two pallets one over the other



Universal application options: use as lift platform



Compact due to extremely short front end dimension



Optimum view of the forks and surrounding areas

Working safety in very confined spaces

Not least due to its compact dimensions the EJD is ideally suited to almost any application, even in confined spaces.

- Unobtrusive and reliable handling in shops with public traffic thanks to very short front-end length and narrow aisle width.
- Optimum view of the load due to low mast height and integrated viewing window.
- Low service weight for use in a delivery truck, on intermediate floors or in a lift.

Flexible application

The integrated support arm lift and permanently connected ProTracLink caster wheels make the EJD 118 a flexible truck for universal use:

- Ideal in pallet truck applications over short transport distances with loads up to 2000 kg.
- As a double-deck truck for efficiently transporting two Euro pallets stacked on top of each other (support arm lift 1000 kg/mast lift 800 kg).
- Can be used as a stacker truck for light stacking tasks up to a weight of 1000 kg and lift height of 2100 mm.

Optimum pallet handling

Numerous performance features make stacking and retrieving with the EJD particularly safe and efficient, including:

- Precise and gentle lifting of the load by speed-controlled hydraulic motor.
- Gentle depositing of loads using proportional hydraulics (optional).
- Long safety tiller ensures sufficient distance between the operator and the truck.
- Optimum view of the fork tips, even for small operators

Stable handling

The sprung, hydraulically cushioned support wheels of the EJD are connected via the patented "ProTracLink" suspension which distributes the force depending on the situation: This suggests applications on a loading ramp and for loading/unloading HGVs.

Fully informed at all times

The 2-inch screen (optional) as the main display and clear instruments offer the user control at a glance:

- Battery discharge indication, operation hours and fault diagnostics.
- Choice of three travel programs.

- Activation of the truck by EasyAccess via softkey, PIN code or transponder card (optional).

Innovative Li-ion technology

- High truck availability due to extremely short charging times: After a boost charging time of just 30 minutes, the battery is charged to 50% and after 80 minutes to 100%.
- No battery changing necessary.
- Full voltage always ensures full power.
- Costs are saved due to longer service life and low maintenance compared with lead-acid batteries.
- No charging rooms and ventilation required as there is no build up of gas.
- Easy charging at any 230 V the mains socket thanks to on-board charger (optional).

Additional equipment

Comprehensive accessories allow for individual tailoring to your requirements:

- Tandem load rollers.
- Load guard.
- On-board charger.
- Cold store version.
- SilentDrive for quiet operation.



Earth Moving and Material Handling Equipment
Jeddah-Al-Nahda Dist-Prince Sultan Str.
Kingdom of Saudi Arabia
P.O. Box 52269 Jeddah 21563
Email kbahaa@arabian-roots.com
Mob +966 590950582
Tel +966 126996628 Ext: 245
Fax +966 126221473

The German production facilities in Norderstedt, Moosburg and Landsberg are certified. ISO 9001 ISO 14001

Jungheinrich fork lift trucks meet European safety requirements.



JUNGHEINRICH
Machines. Ideas. Solutions.