

Pedestrian controlled counterbalance truck

Compact and manoeuvrable

Powerful through maintenance-free 3-phase AC drive motor

Electronically controlled hydraulic motor for sensitive lifting and lowering



EJK 106/108/110/112

Electric pedestrian controlled truck (600/800/1,000/1,200 kg)

The Jungheinrich EJK is a pedestrian controlled counterbalance truck which can be used wherever support arm stacker trucks cannot operate (e.g. lifting perimeter based pallets directly from the floor, special load sizes, racking with collision protection). With an overall width of just 910 mm and a high degree of manoeuvrability, the truck can also be operated with ease in confined warehouse areas. As a flexible truck the EJK offers many advantages:

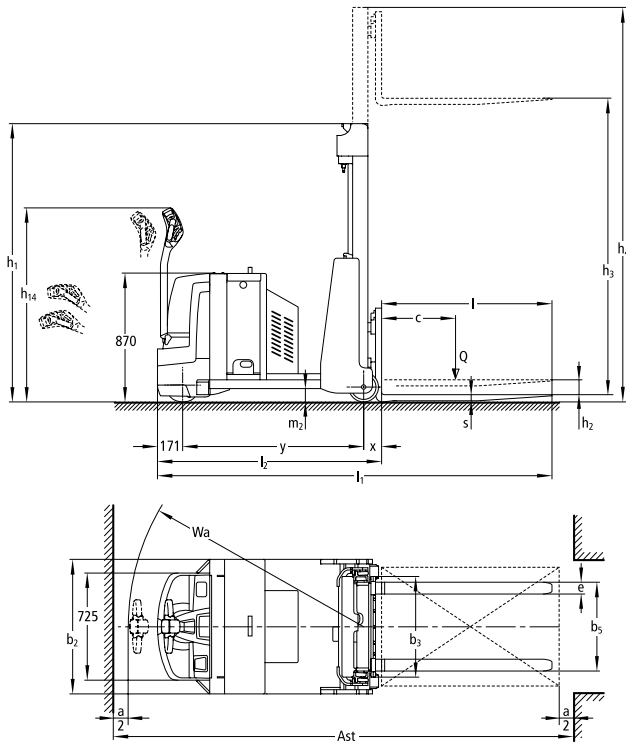
- Extremely sturdy chassis and load section.

- High ground clearance and large load wheels for comfortable travel on uneven ground.
- Sensitive lifting and lowering.
- Excellent energy management.

Also there are ergonomic benefits:

- The low mounted, long tiller ensures a safe clearance from the chassis for the operator.
- The crawl button assists in extremely confined areas. It allows the truck to travel at an automatically reduced speed with the tiller upright.

EJG 106/108/110/112



Standard mast designs EJG 106/108/110/112				
	Lift h_3 (mm)	Lowered mast height h_1 (mm)	Free lift h_2 (mm)	Extended mast height h_4 (mm)
Duplex ZT	2500	1930	100	3153
	2700	2030	100	3353
	2900	2130	100	3553
	3200	2280	100	3853
	3600	2480	100	4253
Duplex ZZ	2500	1880	1227	3153
	2900	2080	1427	3553
	3200	2230	1577	3853
Triplex DZ	3600	2480	1777	4253
	4300	2130	1430	5085

Technical data in line with VDI 2198

			Jungheinrich						
			EJG 106	EJG 108	EJG 110	EJG 112			
Identification	1.1	Manufacturer (abbreviation)							
	1.2	Model							
	1.3	Drive	Electric						
	1.4	Manual, pedestrian, stand-on, seated, order picker operation	pedestrian						
	1.5	Load capacity/rated load	Q	t	0.6	0.8	1	1.2	
	1.6	Load centre distance	c	mm	500				
	1.8	Load distance	x	mm	120				
	1.9	Wheelbase	y	mm	960	1,090	1,220	1,350	
	Weights	2.1.1	Net weight incl. battery (see row 6.5)			kg	1,980	2,045	2,110
2.2		Axle load with load front/rear			kg	550 / 2,030	550 / 2,295	550 / 2,560	550 / 2,825
2.3		Axle load without load front/rear			kg	1,000 / 980	1,030 / 1,015	1,070 / 1,040	1,100 / 1,075
Wheels / frame	3.1	Tyres			PU				
	3.2	Tyre size, front			mm	Ø 230 x 70			
	3.3	Tyre size, rear			mm	Ø 200 x 100			
	3.5	Wheels, number front/rear (x = driven wheels)			1x/2				
Basic dimensions	4.2	Mast height (lowered)	h ₁	mm	1,930				
	4.3	Free lift	h ₂	mm	100				
	4.4	Lift	h ₃	mm	2,500				
	4.9	Height of tiller in drive position min. / max.	h ₁₄	mm	865 / 1,320				
	4.15	Height, lowered	h ₁₃	mm	50				
	4.19	Overall length	l ₁	mm	2,400	2,530	2,660	2,790	
	4.20	Length to face of forks	l ₂	mm	1,250	1,380	1,510	1,640	
	4.21	Overall width	b ₁ /b ₂	mm	910				
	4.22	Fork dimensions	s/e/l	mm	40 / 80 / 1,150				
	4.24	Fork carriage width	b ₃	mm	680				
	4.31	Floor clearance with load under mast	m ₁	mm	60				
4.32	Ground clearance, centre of wheelbase	m ₂	mm	90					
4.34	Aisle width for pallets 800 x 1200 lengthways	Ast	mm	2,730	2,860	2,990	3,120		
4.35	Turning radius	W _a	mm	1,180	1,310	1,440	1,570		
Performance data	5.1	Travel speed, laden/unladen			km/h	4.6 / 5.2			
	5.2	Lift speed, laden/unladen			m/s	0.13 / 0.2			
	5.3	Lowering speed, laden/unladen			m/s	0.43 / 0.4			
	5.10	Service brake			electric				
Electrics	6.1	Drive motor, output S2 60 min.			kW	1.0			
	6.2	Lift motor, output at S3 15%			kW	1.7			
	6.3	Battery as per DIN 43531 /35/36 A, B, C, no			A				
	6.4	Battery voltage/nominal capacity K5			V/Ah	24 / 375			
	6.5	Battery weight			kg	306			
Misc.	8.1	Type of drive control			AC SpeedControl				

Benefit from the advantages



Lifting perimeter based pallets directly from the floor – no problem for the EJK



Ergonomic tiller



Sideways battery exit (optional)



Excellent visibility through the mast

Innovative three-phase AC technology

Jungheinrich three-phase AC motors offer higher performance while simultaneously reducing running costs:

- High efficiency levels with excellent energy management.
- Powerful acceleration.
- Quick change in direction of travel without 'needing to think'.
- No carbon brushes - maintenance-free drive motor.
- Two-year warranty on the drive motor.

Counterbalance truck

- The counterbalanced design without interference from support arms also allows the transport of transverse pallets or special loads.
- The generous ground clearance with 200 mm load wheels also allows the truck to travel over uneven ground and low thresholds.
- The short overall length makes manoeuvring easier in confined areas.

- Precise and gentle lifting of the load by speed-controlled hydraulic motor.
- Gentle depositing of loads using proportional hydraulics.

Work ergonomically

The newly designed tiller head is ideally suited to the ergonomic needs of the operator.

- A clear colour coding system and buttons with non-marking symbols for intuitive operation.
- Grip angle to suit the hand position of the operator.
- Mechanical steering with low mounted tiller.

Fully informed at all times

Extensive instrument display and setting options enable the operator to monitor the situation at a glance:

- Combined battery discharge indicator (3-colour LCD) with lift cut-off and charge status indicator (for on-board charger).

- Can-Dis information display (optional) with additional hour meter and error code logging.
- Activation of truck via PIN and selection of 3 travel programmes via Can-Code (optional).
- Adjustable travel parameters via Can-Dis and Can-Code (optional).

Reduced maintenance

AC systems provide a clear, long-term reduction in running costs:

- Maintenance-free drive motor with no carbon brushes.
- Easy access to all components.
- Solid protection against dust and humidity for example through IP 54 enclosure of the control system and connectors.

Batteries

- 3 PzS 375 Ah.
- 3 PzS 300 Ah.



Earth Moving and Material Handling Equipment
 Jeddah-Al-Nahda Dist-Prince Sultan Str.
 Kingdom of Saudi Arabia
 P.O. Box 52269 Jeddah 21563
 Email kbahaa@arabian-roots.com
 Mob +966 590950582
 Tel +966 126996628 Ext: 245
 Fax +966 126221473

The German production facilities in Norderstedt, Moosburg and Landsberg are certified. **ISO 9001**
ISO 14001

Jungheinrich fork lift trucks meet European safety requirements.



JUNGHEINRICH
 Machines. Ideas. Solutions.