

Manoeuvrable and compact

Maintenance-free 3-phase
AC drive motor

Integrated charger

Wide range of
coupling options



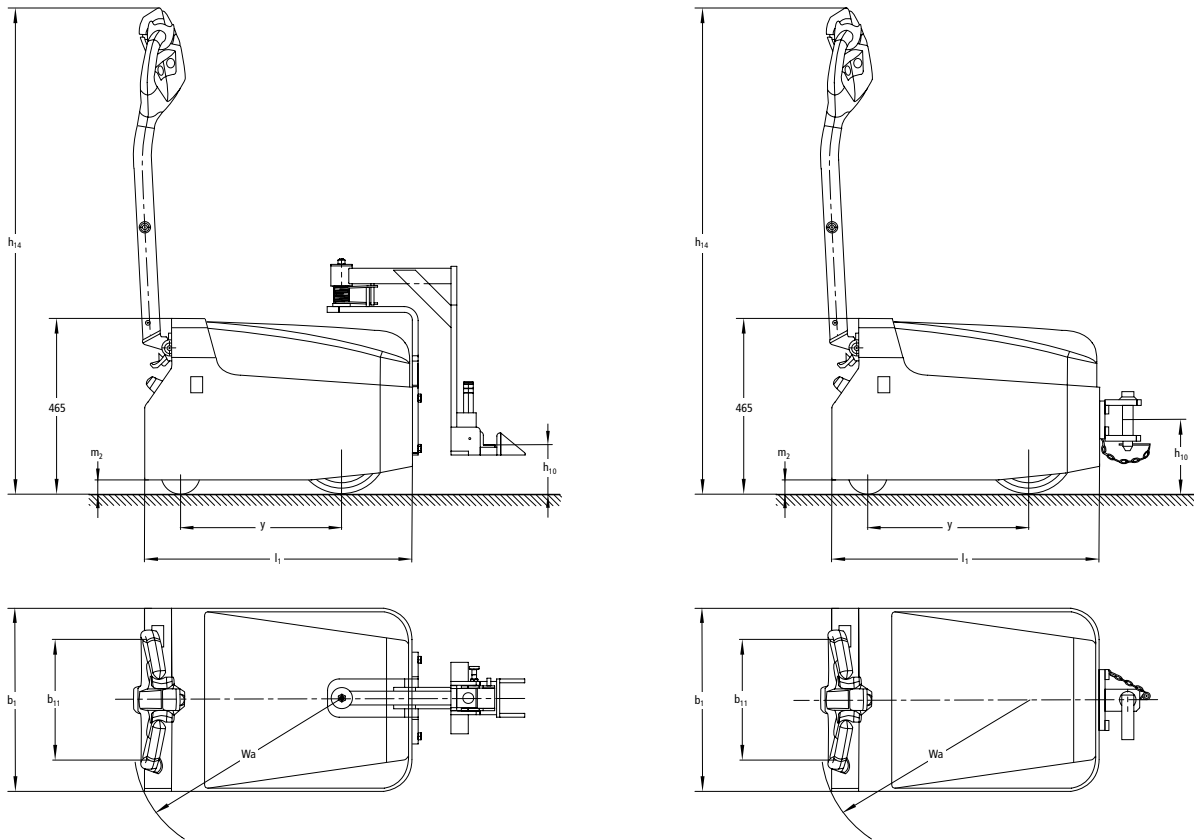
EZS 010

Mini pedestrian controlled tow tractor (1,000 kg)

The Jungheinrich EZS 010 is a versatile, economic mini tow tractor for pulling up to 1000 kg trailers. Ideal for moving loads in restricted areas. Instead of time-consuming and energy-sapping manual work, trailers can now be moved faster, more efficiently and more easily. Designed for a wide range of applications, such as furniture wholesale, industry, supermarkets or hospitals. Anywhere where smaller loads must be transported over short distances, the EZS 010 is the clear choice with compelling advantages:

- Wide variety of coupling systems for many different trailer types.
- Clearly visible, easily accessible coupling.
- 24-volt 3-phase AC drive motor.
- Ergonomic safety tiller arm
- Compact, user-friendly design.
- Turns on the spot.
- Drive tyre protected by chassis.
- A choice of three travel programmes.

EZS 010



Technical data in line with VDI 2198

Identification	1.1	Manufacturer (abbreviation)		Jungheinrich
	1.2	Model		EZS 010
	1.3	Drive		Electric
	1.4	Manual, pedestrian, stand-on, seated, order picker operation		pedestrian
	1.5	Load capacity/rated load	Q t	1
	1.7	Rated tractive power	F N	200
Weights	1.9	Wheelbase	y mm	415
	2.1.1	Net weight incl. battery (see row 6.5)	kg	190
	2.3	Axle load without load front/rear	kg	85 / 105
Wheels / frame	3.1	Tyres		Vulkollan, solid rubber
	3.2	Tyre size, front	mm	Ø 100 x 40
	3.3	Tyre size, rear	mm	Ø 230 x 70
	3.5	Wheels, number front/rear (x = driven wheels)		2 / 1x
	3.6	Tread width, front	b ₁₀ mm	315
	3.7	Tread width, rear	b ₁₁ mm	370
Basic dimensions	4.9	Height of tiller in drive position min. / max.	h ₁₄ mm	1,270
	4.12	Coupling height	h ₁₀ mm	150 ¹⁾
	4.19	Overall length	l ₁ mm	700
	4.21	Overall width	b ₁ /b ₂ mm	480
	4.32	Ground clearance, centre of wheelbase	m ₂ mm	35
Performance data	4.35	Turning radius	W _a mm	570
	5.1	Travel speed, laden/unladen	km/h	5.4 / 6
	5.5	Drawbar pull w. / w.o. load	N	200
	5.6	Max. drawbar pull, laden/unladen	N	600
Electrics	5.10	Service brake		electro-magnetic
	6.1	Drive motor, output S2 60 min.	kW	1.0
	6.4	Battery voltage/nominal capacity K5	V/Ah	24 / 63
Misc.	6.5	Battery weight	kg	46
	8.1	Type of drive control		3-phase AC technology

¹⁾ With single plug-in coupling

Benefit from the advantages



Clearly arranged controls always in view



Easy trailer shunting



Ergonomic tiller



Individual coupling solutions to suit the trailer

Innovative 3-phase AC technology

Jungheinrich 3-phase AC motors offer you higher performance while simultaneously reducing operating costs. Make the most of these advantages:

- High level of efficiency with excellent energy management.
- Powerful acceleration.
- Rapid change in direction of travel
- No carbon brushes - maintenance-free drive motor.
- Two-year warranty on the drive motor.

Constant information flow

Extensive display and setting instruments provide a complete overview at all times:

- Combined discharge indicator (3 colour LED) with load status display.
- CanDis (optional) provides information on battery charge status, service hours and error codes.
- PIN activation of truck and choice of 3 travel programmes via keypad (optional).
- Adjustable drive parameters via CanDis and CanCode (optional).

Work ergonomically

The new tiller arm has been designed to match the ergonomic requirements of the operator:

- Colour coding and buttons with countersunk/raised shape for intuitive operation.
- Grip position ideally suited to the operator's hand posture.
- Crawl speed button underneath the tiller arm for easy access and travelling with the tiller upright.
- High protection level of Electric Controller to IP 65 giving low risk of breakdown.
- Rocker switches for equally good operation in any tiller position.

Minimum maintenance work

The AC drive system and small number of moving parts keeping running costs to a minimum:

- Maintenance-free 3 Phase drive motor with no carbon brushes.

- Easy access to all parts inside one-piece front panel with just 2 Retaining fasteners.
- Excellent protection against dust and humidity through enclosure of controller and plugs to IP 54.

Easy charging

The battery can be recharged at any mains socket using the built-in charger.

Individual coupling solutions

Individual coupling solutions enable the truck to be used with a range of trailer types. Both standard couplings (e.g. single plug couplings) and modified couplings can be used.

- Standard couplings attached to the chassis if the trailer has its own steering.
- Coupling arm can be used with a modified receptacle for non-self steering trailers. This ensures easy steering and effortless direction of trailers.



Earth Moving and Material Handling Equipment
Jeddah-Al-Nahda Dist-Prince Sultan Str.
Kingdom of Saudi Arabia
P.O. Box 52269 Jeddah 21563
Email kbahaa@arabian-roots.com
Mob +966 590950582
Tel +966 126996628 Ext: 245
Fax +966 126221473

The German production facilities in Norderstedt, Moosburg and Landsberg are certified. **ISO 9001**
ISO 14001

Jungheinrich fork lift trucks meet European safety requirements.



JUNGHEINRICH
Machines. Ideas. Solutions.