

Width only 600 mm

Precise control with electric steering and jetPILOT

Safe cornering with curveCONTROL

"speedCONTROL", our smooth electronic control system

Semi-automatic remote coupling release directly from the operator platform (optional)



## EZS 130

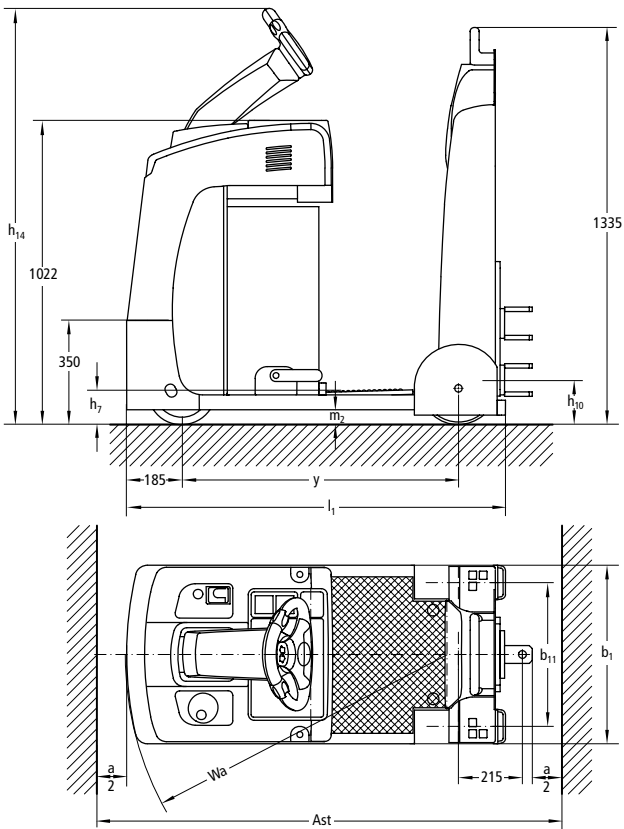
### Electric tow tractor (3,000 kg)

The EZS 130 is a particularly compact tow tractor for pulling trailers up to 3,000 kg. A narrow width of just 600 mm makes the EZS the ideal forklift truck for particularly narrow and confined spaces. Attaching several trailers allows the load surfaces to be infinitely variable. This contributes towards a flexible and economical material turnover. The coupling is clearly visible from any position and is also easily accessible. The semi-automatic remote coupling release (optional) allows the coupling/releasing of trailers without the operator having to leave the platform. This saves both time and costs. A further advantage: The forklift truck is available with several different couplings and can thus be adapted to any type of trailer. The 24 V drive motor with its 3-phase AC technology ensures a high performance. The advantages: powerful acceleration

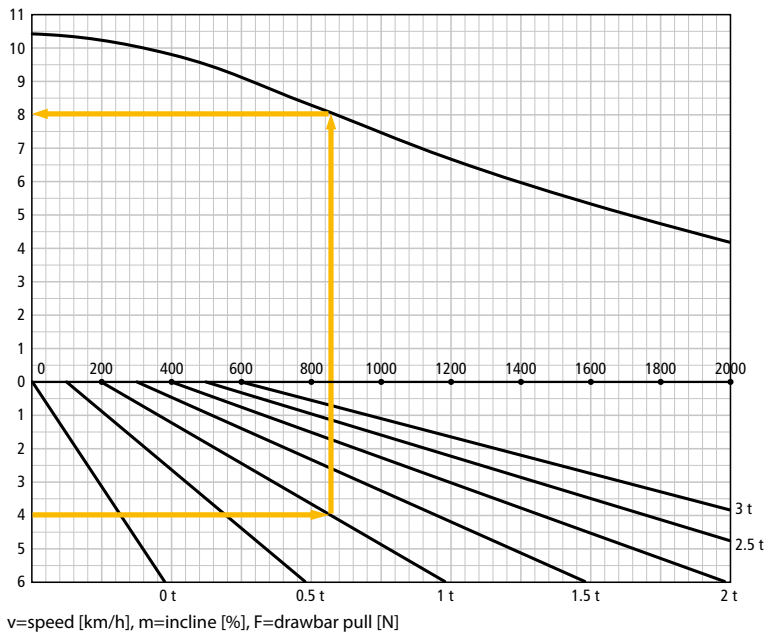
and high maximum speed, combined with significant energy savings, extended operating times and minimised maintenance costs (due to omission of carbon brushes). This is due to optimisation between the drive motor and the drive control, as well as regenerative braking.

The main ergonomic advantages are the low stand-on platform for frequent mounting and dismounting and the short distance from operator position to load. The EZS also operates effortlessly in confined spaces. Its turning radius is so small that the operator will feel that he is turning on the spot. The jetPILOT steering wheel, supportive backrest and automatic Curve Control speed reduction, as well as the load wheels with CSE tyres, provide comfort and safety, especially on corners.

# EZS 130



## Pulling ability



### Example:

The EZS 130 is able to run with a 1 tonne load up a gradient of 4%. This requires 850N tractive effort and can reach approx. 8km/h

### Note:

The EZS 130 is not suitable for continuous operations over 600N.

**For gradients greater than 4% it is recommended braked trailers are used!**

# Technical data in line with VDI 2198

Identification	1.1	Manufacturer (abbreviation)		Jungheinrich
	1.2	Model		<b>EZS 130</b>
	1.3	Drive		Electric
	1.4	Manual, pedestrian, stand-on, seated, order picker operation		stand-on
	1.5	Load capacity/rated load	Q t	3
	1.7	Rated tractive power	F N	600
Weights	1.9	Wheelbase	y mm	930
	2.1.1	Net weight incl. battery (see row 6.5)	kg	560
	2.3	Axle load without load front/rear	kg	330 / 230
Wheels / frame	3.1	Tyres		Vulkollan, superelastic
	3.2	Tyre size, front	mm	Ø 230 x 78
	3.3	Tyre size, rear	mm	Ø 250 x 80
	3.5	Wheels, number front/rear (x = driven wheels)		1x/2
	3.7	Tread width, rear	b <sub>11</sub> mm	485
Basic dimensions	4.8.1	Standing height	h <sub>7</sub> mm	115
	4.9	Height of tiller in drive position min. / max.	h <sub>14</sub> mm	1,400 <sup>1)</sup>
	4.12	Coupling height	h <sub>10</sub> mm	158 <sup>2)</sup>
	4.19	Overall length	l <sub>1</sub> mm	1,275 <sup>3)</sup>
	4.21	Overall width	b <sub>1</sub> /b <sub>2</sub> mm	600
	4.32	Ground clearance, centre of wheelbase	m <sub>2</sub> mm	50
Performance data	4.35	Turning radius	W <sub>a</sub> mm	1,080
	5.1	Travel speed, laden/unladen	km/h	9 / 10.5 <sup>4)</sup>
	5.5	Drawbar pull w. / w.o. load	N	600 <sup>3)</sup>
	5.6	Max. drawbar pull, laden/unladen	N	2,000 <sup>4)</sup>
Electrics	5.10	Service brake		electro-magnetic
	6.1	Drive motor, output S2 60 min.	kW	2.8
	6.4	Battery voltage/nominal capacity K5	V/Ah	24 / 250
	6.5	Battery weight	kg	220
Misc.	6.6	Energy consumption according to VDI cycle	kWh/h	1.3 <sup>6)</sup>
	8.1	Type of drive control		AC speedCONTROL
	8.4	Sound pressure level at operator's ear as per EN 12053	dB (A)	65

<sup>1)</sup> jetPILOT height

<sup>2)</sup> Other coupling heights available

<sup>3)</sup> Rated tractive power

<sup>4)</sup> See diagram

<sup>5)</sup> Total length without coupling, as different coupling systems are available

<sup>6)</sup> With nominal load

# Benefit from the advantages



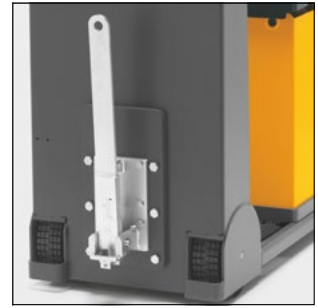
JetPILOT steering wheel / operating functions



Operator compartment



Integrated charger (optional)



Different couplings available (optional)

## Innovative 3-phase AC technology

Jungheinrich 3-phase AC motors offer you higher performance while simultaneously reducing operating costs. Make the most of these advantages:

- High level of efficiency with excellent energy management.
- Powerful acceleration.
- Rapid change in direction of travel.
- No carbon brushes – maintenance-free drive motor.
- Two-year warranty on the drive motor.

## Very narrow design

With its narrow width of only 600 mm, the EZS is ideally suitable for narrow aisles and confined spaces.

## Comfortable and safe operation

The SpeedControl electronic control system and Curve Control automatic cornering speed reduction ensure comfortable and safe operation which can be adapted to any application:

- The speed set by the drive switch is maintained under all travel conditions including gradients / descents.

- 3 adjustable travel programs for individual adjustment to any requirements.
- Regenerative braking with energy recovery when slowing down.
- Safe cornering – the operator has the forklift truck under control at all times.

## Excellent ergonomics

- Low stand-on platform for frequent effortless mounting and dismounting.
- Short distances for the operator from operator platform to coupling or load.
- The coupling can be seen from any position and is easily accessible.
- Fast and easy trailer coupling and decoupling with semi-automatic remote release (optional) from operator platform.
- Electric steering with JetPilot steering wheel.
- CSE load wheels for excellent travel comfort.

## Robust construction for hard applications

- Chassis made of high-quality 8 mm sheet steel

- Extra high chassis apron on front cover

## Long operating times

Energy-saving AC technology and high battery capacities allow long operating times:

- Standard version: 2 PzS 250 Ah
- Integrated charger (24 V/ 30 A) for easy charging at any mains socket (optional)

## Fully informed at any time

Extensive display provides a complete overview at any time:

- CanDis (optional) informs on battery discharge condition, number of operating hours and fault codes.
- Truck activation via PIN and selection of 3 travel programmes via keyboard (optional).
- Adjustable travel parameters via CanDis and CanCode (optional).

## Additional equipment

- Several couplings for different trailer types.
- Rear inching via buttons in the backrest on both sides.



Earth Moving and Material Handling Equipment  
Jeddah-Al-Nahda Dist-Prince Sultan Str.  
Kingdom of Saudi Arabia  
P.O. Box 52269 Jeddah 21563  
Email kbahaa@arabian-roots.com  
Mob +966 590950582  
Tel +966 126998628 Ext: 245  
Fax +966 126221473

The German production facilities in Norderstedt, Moosburg and Landsberg are certified. ISO 9001 ISO 14001

Jungheinrich fork lift trucks meet European safety requirements. CE

**JUNGHEINRICH**  
Machines. Ideas. Solutions.