

Super-elastic drive wheel (SE) and increased ground clearance for comfortable operation

High energy efficiency with maintenance-free AC drive motor

Precise control with electric steering and jetPILOT

Safe cornering with Curve Control

"SpeedControl", our smooth electronic control system



EZS C40

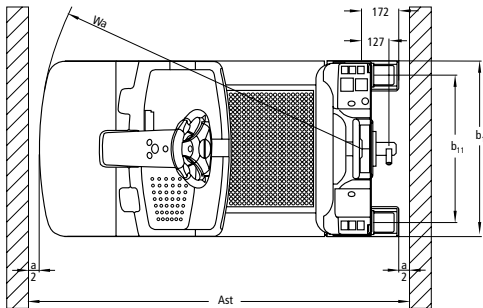
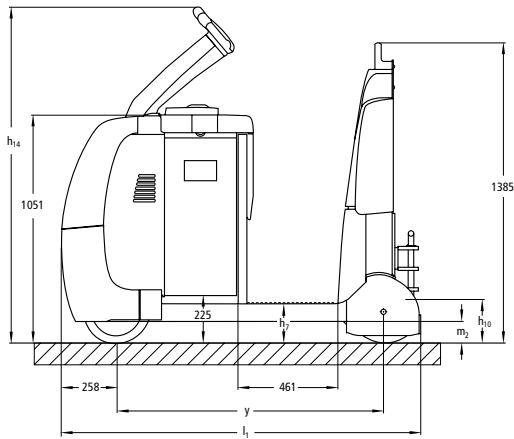
Electric tow tractor with SE tyres (4,000 kg)

The Jungheinrich EZS C40 is a versatile, economic tow tractor for pulling trailers weighing up to 4000 kg. Attaching several trailers allows the loading areas to be varied. This contributes to flexible material turnover. With its super-elastic drive wheel (SE) the EZS C40 also offers optimum traction on smooth floors as well as slightly uneven ground, such as when operating outdoors. At the same time the solid tyre absorbs minor impacts, e.g. from bumpy ground and dock levellers. With its increased ground clearance the truck is ideally suited for travelling on uneven surfaces, even outdoors. The coupling is visible from any position and easily accessible. This saves time and costs. The tow tractor can be equipped with a wide range of couplings, making it adaptable to practically any type of trailer. The 24-volt drive motor with its 3-phase AC technology

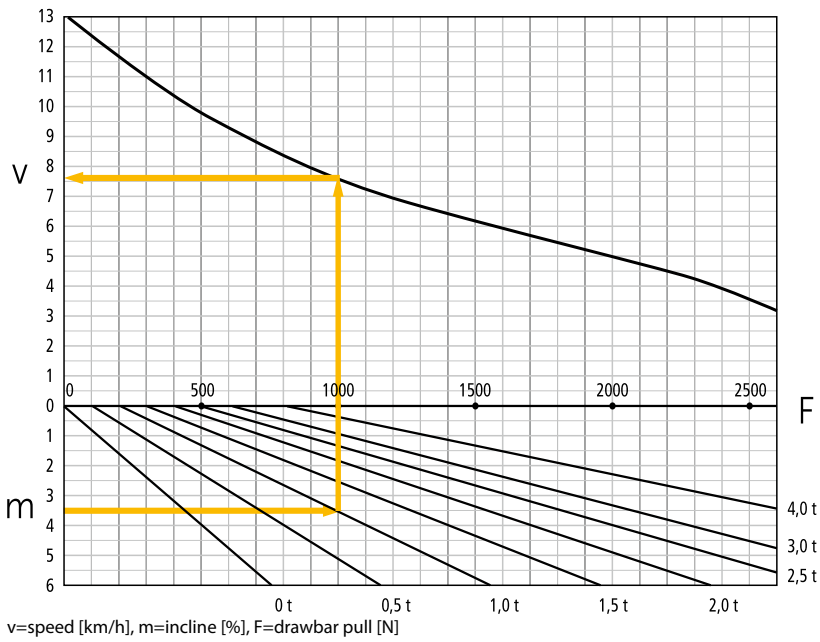
ensures a high performance. The advantages: Powerful acceleration and high maximum speed. At the same time, it offers clear energy savings, extended operating times and minimal maintenance costs. This is due to the optimised efficiency, the optimised match between the drive motor and drive control as well as regenerative braking.

High productivity features include the low stand-on platform and the short distance from the operator position to the load. The EZS works well in tight areas. Its turning radius is so small that the operator will feel that they are turning on the spot. The JetPilot steering wheel, supportive backrest and Curve Control automatic speed reduction all provide comfortable operation when cornering.

EZS C40



Pulling ability



Example:

The EZS C40 can operate on a 3.5% incline with a 1 tonne load. To do this the EZS requires a 1000 N drawbar pull, enabling it to reach approx. 7.5 km/h.

Note:

The EZS C40 is not suitable for continuous operations over 800 N.

For gradients / descents greater than 4% it is recommended that braked trailers be used.

Technical data in line with VDI 2198

Identification	1.1	Manufacturer (abbreviation)		Jungheinrich
	1.2	Model		EZS C40
	1.3	Drive		Electric
	1.4	Manual, pedestrian, stand-on, seated, order picker operation		stand-on
	1.5	Load capacity/rated load	Q t	4
	1.7	Rated tractive power	F N	800
Weights	1.9	Wheelbase	y mm	1,229
	2.1.1	Net weight incl. battery (see row 6.5)	kg	1,185
	2.3	Axle load without load front/rear	kg	660 / 525
Wheels / frame	3.1	Tyres		SE
	3.2	Tyre size, front	mm	Ø 310 x 105
	3.3	Tyre size, rear	mm	Ø 301 x 85
	3.5	Wheels, number front/rear (x = driven wheels)		1x /2
	3.7	Tread width, rear	b ₁₁ mm	680
Basic dimensions	4.8.1	Standing height	h ₇ mm	182
	4.9	Height of tiller in drive position min. / max.	h ₁₄ mm	1,450 ¹⁾
	4.12	Coupling height	h ₁₀ mm	158 ²⁾
	4.19	Overall length	l ₁ mm	1,659 ⁵⁾
	4.21	Overall width	b ₁ /b ₂ mm	810
	4.32	Ground clearance, centre of wheelbase	m ₂ mm	100
Performance data	4.35	Turning radius	W _a mm	1,470
	5.1	Travel speed, laden/unladen	km/h	8 / 12.5 ⁴⁾
	5.5	Drawbar pull w. / w.o. load	N	800 ³⁾
	5.6	Max. drawbar pull, laden/unladen	N	2,600 ⁴⁾
	5.10	Service brake		electro-magnetic
Electrics	6.1	Drive motor, output S2 60 min.	kW	2.8
	6.4	Battery voltage/nominal capacity K5	V/Ah	24 / 620
	6.5	Battery weight	kg	470
Misc.	8.1	Type of drive control		AC SpeedControl
	8.4	Sound pressure level at operator's ear as per EN 12053	dB (A)	66

¹⁾ jetPILOT height

²⁾ Other coupling heights available

³⁾ Rated tractive power

⁴⁾ See diagram

⁵⁾ Total length without coupling, as different coupling systems are available

Benefit from the advantages



JetPILOT steering wheel



Easy entry and exit



Superelastic drive wheel (SE)



Different couplings available (optional)

Innovative 3-phase AC technology

Jungheinrich 3-phase AC motors offer you higher performance while simultaneously reducing operating costs. Make the most of these advantages:

- High level of efficiency with excellent energy management.
- Powerful acceleration.
- Rapid change in direction of travel
- No carbon brushes – maintenance-free drive motor.
- Two-year warranty on the drive motor.

Comfortable and safe operation

The SpeedControl impulse control and Curve Control automatic speed reduction when cornering provide smooth, safe travel adjustable for every application:

- The speed set by the drive switch is maintained under all travel conditions including gradients / descents.
- A choice of three travel programs for individual adaptation to any needs.
- Regenerative braking with energy recovery when slowing down.
- Safe cornering, the operator has the truck under control at all times.

Optimum ergonomics

- Low operator platform for frequent and effortless entry and exit.
- Short distances for the operator from the cab to reach the coupling and load.
- The coupling is clearly visible from any position and is also easily accessible.
- Rapid and easy hitching/unhitching of the trailers through semi-automatic remote coupling unlocking (optional) from the operator position.
- JetPilot electric steering wheel.
- Range of coupling systems for various trailer types.
- All wheels are Super elastic (including drive wheel) to ensure maximum comfort.

Rugged construction for the toughest applications

- Frame made from high-grade, 8-mm steel sheet.
- Extra-high frame apron on front cover.
- SE tyres – including on the drive wheel – to protect operator and tow tractor.
- High ground clearance.

Long operating times

Energy-saving 3-phase AC technology and high battery capacities allow long

operating times:

- Standard version: 3 PzS 465 Ah
- Optionally available battery capacity 620 Ah.

Fully informed at all times

Extensive display and setting instruments provide a complete overview at all times:

- CanDis (optional) provides information on battery charge status, service hours and error codes.
- PIN activation of truck and choice of three travel programmes via keypad (optional).
- Adjustable travel parameters through CanDis and CanCode (optional).

Optional equipment

Extensive range of accessories for individual tailoring to your application:

- Non-marking Super elastic tyres.
- Touch mode on both sides of backrest for easy coupling and decoupling.
- Semi-automatic coupling remote control.
- Additional steel and/or rubber skirt.
- Mounting for radio data terminals.
- Folding driver's seat for relaxed travel.



Earth Moving and Material Handling Equipment
Jeddah-Al-Nahda Dist-Prince Sultan Str.
Kingdom of Saudi Arabia
P.O. Box 52289 Jeddah 21583
Email kbahaa@arabian-roots.com
Mob +966 590950582
Tel +966 128996628 Ext: 245
Fax +966 128221473

The German production facilities in Norderstedt, Moosburg and Landsberg are certified. ISO 9001 ISO 14001

Jungheinrich fork lift trucks meet European safety requirements.



JUNGHEINRICH
Machines. Ideas. Solutions.