

Trolley for large load carriers (LLC)

Suitable for all Jungheinrich trailers

Available in several sizes and load capacities



## Trolley for GTE and GTP

(600/1,200/1,600 kg)

Trolleys are used to transport large load carriers (LLC) in a tow train, such as pallets or mesh boxes. In order to be able to handle the large load carriers at the destination without the use of additional equipment, it is possible to move the LLC manually with the trolleys. The trolleys are perfectly matched to the Jungheinrich GTE and GTP trailers.

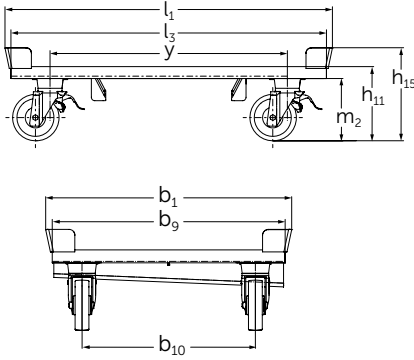
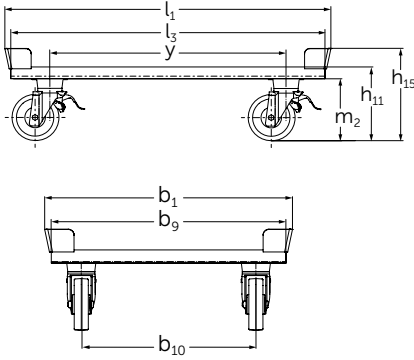
The LLCs are placed on the trolleys, pushed into the trailers and mechanically locked. During travel, the trolleys are raised by the trailers, so that they do not run on their own wheels. This principle has the following advantages:

- Low roll resistance: The wheels of the trolleys have optimised roll resistance due to the ball bearings and hard tread. When pushed manually only low forces are required.

- Quiet operation: During travel, hard rollers are too loud and wear too quickly. When raised in the trailers, the trolley wheels are not under load. The trailer wheels are designed for driving, so they are quiet and low-wear.
- Precise lane guidance: The frame of the trailer allows for much more precise lane guidance. In contrast, trolleys with four steering rollers have no lane guidance.
- Easy to use: Thanks to their lifting platform, the GTE trailers also allow for the easy insertion and removal of the trolleys.

The Jungheinrich trolleys are therefore the ideal addition to the GTE and GTP tow train trailers.

# Trolley for GTE and GTP



Trolleys for GTE 212/312, GTP

Trolley for GTE 106



# Technical data in line with VDI 2198

			Jungheinrich							
			RW 0,6t 1200 x 800	RW 0,6t 1200 x 1000	RW 1,2t 1200 x 800	RW 1,2t 1200 x 1000	RW 1,6t 1200 x 800	RW 1,6t 1200 x 1000		
Identification	1.1	Manufacturer (abbreviation)								
	1.2	Model								
	1.3	Drive			manual					
	1.5	Load capacity/rated load	Q	t	0.6	0.6	1.2	1.2	1.6	1.6
	1.9	Wheelbase	y	mm	910					
Weights	2.1	Service weight		kg	45	48	36	38	36	38
Wheels / frame	3.1	Tyres			Nylon					
	3.2	Tyre size, front		mm	Ø 175 x 48	Ø 175 x 48	Ø 175 x 48	Ø 175 x 48	Ø 200 x 50	Ø 200 x 50
	3.3	Tyre size, rear		mm	Ø 175 x 48	Ø 175 x 48	Ø 175 x 48	Ø 175 x 48	Ø 200 x 50	Ø 200 x 50
	3.5	Wheels, number front/rear (x = driven wheels)			2 / 2					
	3.6	Tread width, front	b <sub>10</sub>	mm	603	803	603	803	603	803
Basic dimensions	4.2.1	Total height	h <sub>15</sub>	mm	351					
	4.13	loading height without load	h <sub>11</sub>	mm	280					
	4.18	Loading area width	b <sub>9</sub>	mm	810	1,010	810	1,010	810	1,010
	4.19	Overall length	l <sub>1</sub>	mm	1,255					
	4.21	Overall width	b <sub>1</sub> /b <sub>2</sub>	mm	855	1,055	855	1,055	855	1,055
	4.32	Ground clearance, centre of wheelbase	m <sub>2</sub>	mm	235					
	4.38.12	Platform length	l <sub>3</sub>	mm	1,210					
Performance data	5.10	Service brake			optional					

# Benefit from the advantages



Available in several sizes and load capacities



Options handle bar and increased height

## Standard equipment

- 4 steering rollers, two of which are diagonally braked with wheel locks.
- Large wheels made of polyamide with ball bearings for easy manual pushing.
- An ESD wheel with electrical conductivity.
- Frame in Jungheinrich grey.

## Ergonomics

The trolleys offer various facilities which make it easier to handle heavy and awkward loads:

- Attachable handles provide grip at an ergonomic height.
- Beam extensions make it easier to access loads without having to bend over.
- Lockable steering roller for directional stability when pushing manually.

## Options

Different options are available:

- Loads for 600 kg, 1200 kg and 1600 kg.
- Dimensions in 1200 x 800 mm and 1200 x 1000 mm.
- Trolleys for the mechanical GTE 106.

- Clip-on push handle.
- Parking brake with fixed brake pedal.
- Locking rollers for easier handling of heavy loads.
- Beam extension for ergonomic unloading of large load carriers.
- Wooden floor with optional rubber mat to ensure that smaller loads can also be transported securely.
- Special colours.

مجموعة الجذور  
العربية



Roots Group  
ARABIA

Earth Moving and Material Handling Equipment  
Jeddah-Al-Nahda Dist-Prince Sultan Str.  
Kingdom of Saudi Arabia  
P.O. Box 52289 Jeddah 21563  
Email kbahaa@arabian-roots.com  
Mob +966 590950582  
Tel +966 126998628 Ext: 245  
Fax +966 126221473

## Jungheinrich Aktiengesellschaft

Friedrich-Ebert-Damm 129  
D-22047 Hamburg  
Telephone +49 40 6948-0  
Telefax +49 40 6948-1777

info@jungheinrich.com  
www.jungheinrich.com

The German production facilities in Norderstedt, Moosburg and Landsberg are certified. **ISO 9001**  
**ISO 14001**

Jungheinrich fork lift trucks meet European safety requirements.



**JUNGHEINRICH**  
Machines. Ideas. Solutions.